



- Aluminium electronic enclosures for MCR technology and automation
- Variable length version using profile technology
- Enclosure system with different front lid and rear panel version
- Integrated guide grooves for PCB's

Included in delivery

Enclosure with two sheet aluminium or cast lids, screwed; version with protective collar lid have self-adhesive anodized aluminium front panel is added separate

Technical data

Material:

DIN EN 573 EN AW-AMgSi

Ingress protection:

IP 65 or IP 40 to EN 60529
depending on lid version

Painting:

powder coating

Colour:

enclosure profile: RAL 7035, light grey
enclosure lid: RAL 7030, stone grey




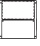
Temperature range:

-40°C to +80°C

cover: -20°C to +60°C

Profitronic I/F, I/A

Programme range

Type	Order No.	External enclosure dimensions* W x L x H (mm)	Version	Ingress protection	max. PCB dimensions (mm)	
	07.05 20 12	104,5 x 129 x 84,5	2 sheet aluminium lids without seal	IP 40	80/100 x 125	
	07.05 21 12	104,5 x 129 x 84,5	Sheet aluminium lid and sheet aluminium mounting rear panel without seal	IP 40	80/100 x 125	
	07.05 22 12	111,5 x 147 x 91,5	2 cast aluminium flat lids with seal	IP 65	80/100 x 125	
	07.05 23 12	111,5 x 149 x 91,5	Cast aluminium flat lid and cast aluminium mounting rear panel with seal	IP 65	80/100 x 125	
	07.05 24 12	111,5 x 181 x 91,5	2 cast aluminium protective collar lids with seal	IP 65	80/100 x 125	
	07.05 25 12	111,5 x 164 x 91,5	1 cast aluminium protective collar lid and 1 cast aluminium flat lid with seal	IP 65	80/100 x 125	
	07.05 26 12	111,5 x 166 x 91,5	Cast alum. protective collar lid and cast alum. mounting rear panel with seal	IP 65	80/100 x 125	
	07.06 20 18	165 x 184 x 105	2 sheet aluminium lids without seal	IP 40	100/160 x 180	
	07.06 21 18	165 x 184 x 105	Sheet aluminium lid and sheet aluminium mounting rear panel without seal	IP 40	100/160 x 180	
	07.06 22 18	172 x 202 x 112	2 cast aluminium flat lids with seal	IP 65	100/160 x 180	
	07.06 23 18	172 x 204 x 112	Cast aluminium flat lid and cast aluminium mounting rear panel with seal	IP 65	100/160 x 180	
	07.06 24 18	172 x 236 x 112	2 cast aluminium protective collar lids with seal	IP 65	100/100 x 180	
	07.06 25 18	172 x 219 x 112	1 cast aluminium protective collar lid and 1 cast aluminium flat lid with seal	IP 65	100/160 x 180	
	07.06 26 18	172 x 221 x 112	Cast alum. protective collar lid and cast alum. mounting rear panel with seal	IP 65	100/160 x 180	
	07.06 27 18	173 x 204 x 113	1 cast aluminium front plate lid and 1 cast aluminium flat lid with seal	IP 65	100/160 x 180	
	07.06 28 18	173 x 206 x 113	Cast aluminium front plate lid and cast alum. mounting rear panel with seal	IP 65	100/160 x 180	
	07.06 29 18	173 x 225 x 113	Transparent cover, cast aluminium front plate lid and cast aluminium flat lid	IP 65	100/160 x 180	
	07.06 30 18	173 x 227 x 133	Transparent cover, cast alum. front plate lid and cast alum. mounting rear panel	IP 65	100/160 x 180	
		07.07 20 18	196 x 184 x 166,5	2 sheet aluminium lids without seal	IP 40	160/189 x 180
		07.07 21 18	196 x 184 x 166,5	Sheet aluminium lid and sheet aluminium mounting rear panel without seal	IP 40	160/189 x 180
07.07 22 18		203 x 202 x 166,5	2 cast aluminium flat lids with seal	IP 65	160/189 x 180	
07.07 23 18		203 x 204 x 166,5	Cast aluminium flat lid and cast aluminium mounting rear panel with seal	IP 65	160/189 x 180	
07.07 24 18		203 x 236 x 166,5	2 cast aluminium protective collar lids with seal	IP 65	160/189 x 180	
07.07 25 18		203 x 219 x 166,5	1 cast aluminium protective collar lid and 1 cast aluminium flat lid with seal	IP 65	160/189 x 180	
07.07 26 18		203 x 221 x 166,5	Cast alum. protective collar lid and cast alum. mounting rear panel with seal	IP 65	160/189 x 180	
07.07 27 18		204 x 204 x 166,5	1 cast aluminium front plate lid and 1 cast aluminium flat lid with seal	IP 65	160/189 x 180	
07.07 28 18		204 x 206 x 166,5	Cast alum. front plate lid and cast alum. mounting rear panel with seal	IP 65	160/189 x 180	
07.07 29 18		204 x 225 x 166,5	Transparent cover, cast aluminium front plate lid and cast aluminium flat lid	IP 65	160/189 x 180	
07.07 30 18		204 x 227 x 166,5	Transparent cover, cast alum. front plate lid and cast alum. mounting rear panel	IP 65	160/189 x 180	
	07.09 00 15	172 x 238 x 203	Cast aluminium protective collar lid, connection enclosure with cast aluminium lid and cast aluminium mounting rear panel, length of front profile = 145 mm	IP 65	100/160 x 145	

* Dimensions without fixing brackets

Accessories

Transparent cover for protective collar lid with knurled lock for 07.06	07.80 80 01
Transparent cover for front plate lid for 07.06	07.80 80 03
Transparent cover for front plate lid for 07.07	07.80 80 04
Table feet (set, self adhesive, black)	10.07 00 19
Mounting feet (2 pcs.), grey	07.70 00 81

Profitronic I/F IP 40



Version with two sheet aluminium lids

Type	Order No.	Weight (g)
07.05	07.05 20 12	570
07.06	07.06 20 18	1100
07.07	07.07 20 18	1750



Version with sheet aluminium lid and cast aluminium mounting rear panel

Type	Order No.	Weight (g)
07.05	07.05 21 12	590
07.06	07.06 21 18	1160
07.07	07.07 21 18	1850

Profitronic I/F IP 65



Version with two cast aluminium flat lids (with seal)

Type	Order No.	Weight (g)
07.05	07.05 22 12	650
07.06	07.06 22 18	1300
07.07	07.07 22 18	2100



Version with cast aluminium front plate lid and cast aluminium flat lid (with seal)

Type	Order No.	Weight (g)
07.06	07.06 27 18	1372
07.07	07.07 27 18	2192



Version with cast aluminium protective collar lid and cast aluminium flat lid (with seal)

Type	Order No.	Weight (g)
07.05	07.05 25 12	720
07.06	07.06 25 18	1380
07.07	07.07 25 18	2200

Profitronic I/F, I/A

Profitronic I/F IP 65



Version with transparent cover, cast aluminium front plate lid and cast aluminium flat lid (with seal)

Type	Order No.	Weight (g)
07.06	07.06 29 18	1380
07.07	07.07 29 18	2200



Version with two aluminium protective collar lids (with seal)

Type	Order No.	Weight (g)
07.05	07.05 24 12	785
07.06	07.06 24 18	1460
07.07	07.07 24 18	2300



Version with cast aluminium flat lid and cast aluminium mounting rear panel (with seal)

Type	Order No.	Weight (g)
07.05	07.05 23 12	685
07.06	07.06 23 18	1360
07.07	07.07 23 18	2150



Version with cast aluminium front plate lid and cast aluminium mounting rear panel (with seal)

Type	Order No.	Weight (g)
07.06	07.06 28 18	1380
07.07	07.07 28 18	2200



Version with cast aluminium protective collar lid and cast aluminium mounting rear panel (with seal)

Type	Order No.	Weight (g)
07.05	07.05 26 12	755
07.06	07.06 26 18	1440
07.07	07.07 26 18	2270

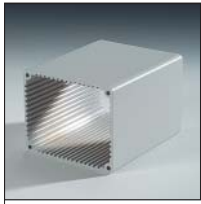


Version with transparent cover, cast aluminium front panel lid and cast aluminium mounting rear panel (with seal)

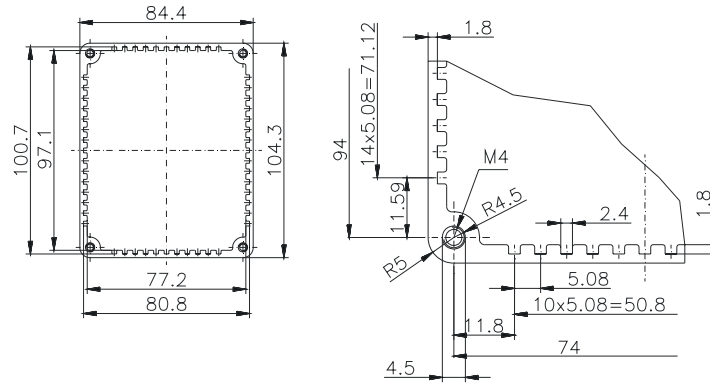
Type	Order No.	Weight (g)
07.06	07.06 30 18	1440
07.07	07.07 30 18	2270

Profitronic I/F, I/A

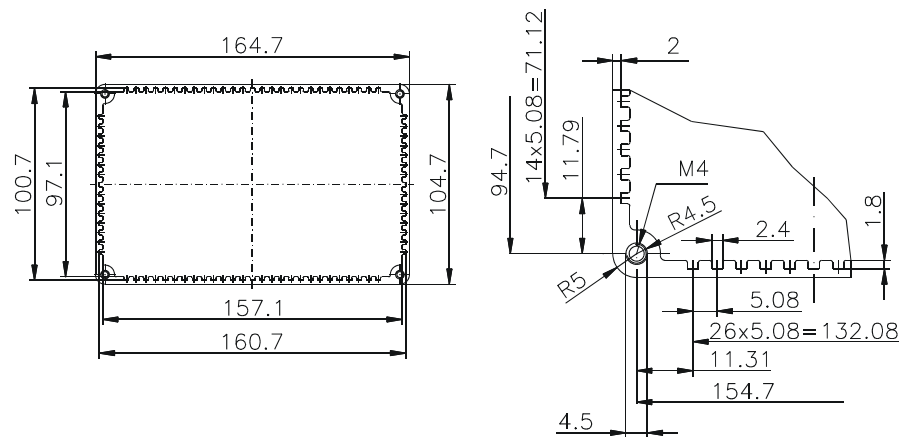
Dimensions



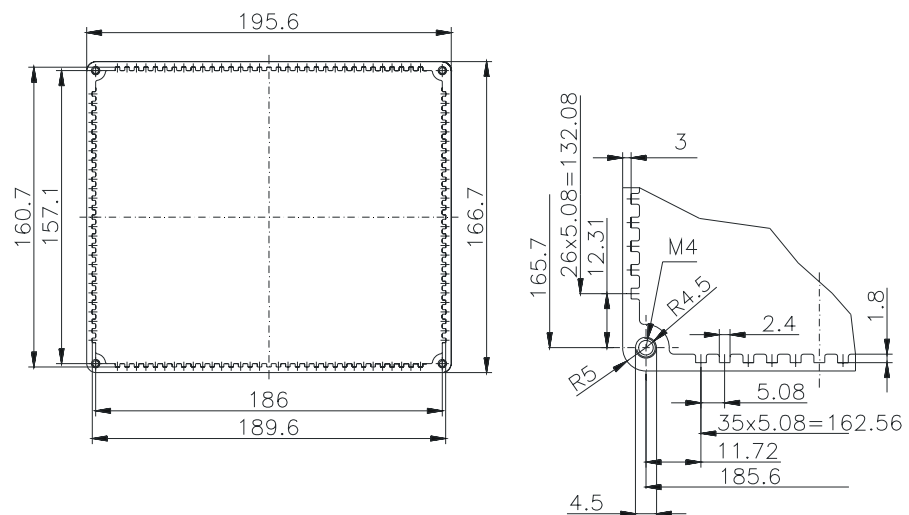
Profile 07.05



Profile 07.06



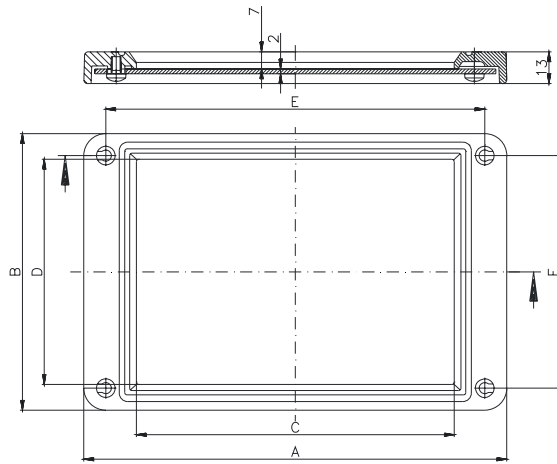
Profile 07.07



Dimensions



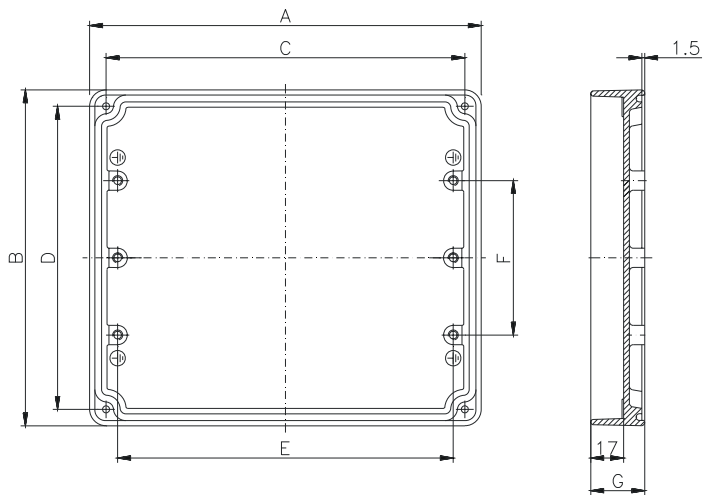
Cast aluminium front plate lid



Type	A	B	C	D	E	F
07.06	173	113	130	92	155	95
07.07	204	175	161	154	186	157



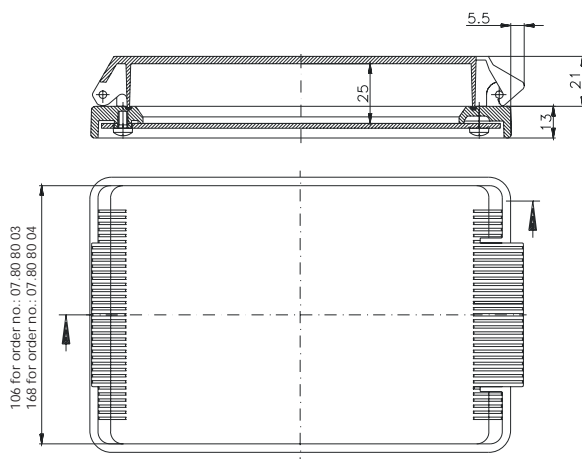
Cast aluminium protective collar lid



Type	A	B	C	D	E	F	G
07.05	112	92	94	74	85	-	26
07.06	172,5	112,5	155	95	145	-	26
07.07	203	174	155	157	174	80	28



Cast aluminium front plate lid with transparent cover

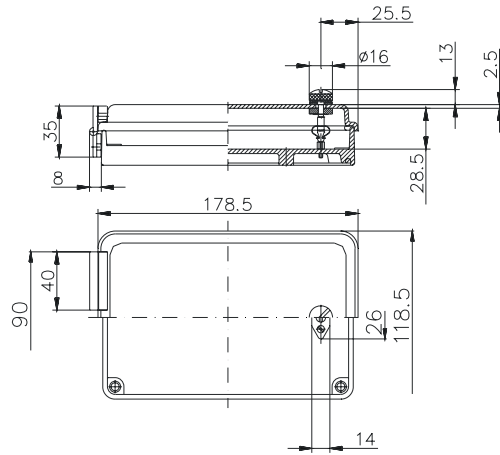


Profitronic I/F, I/A

Dimensions



Transparent cover for cast aluminium protective collar lid



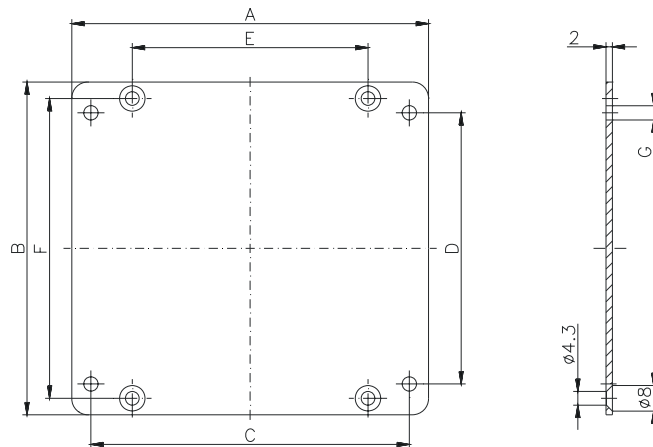
Sheet aluminium lid



Type	A	B	C	D
07.05	85	105	74	94
07.06	105	165	95	155
07.07	167	196	157	186



Sheet aluminium mounting rear panel

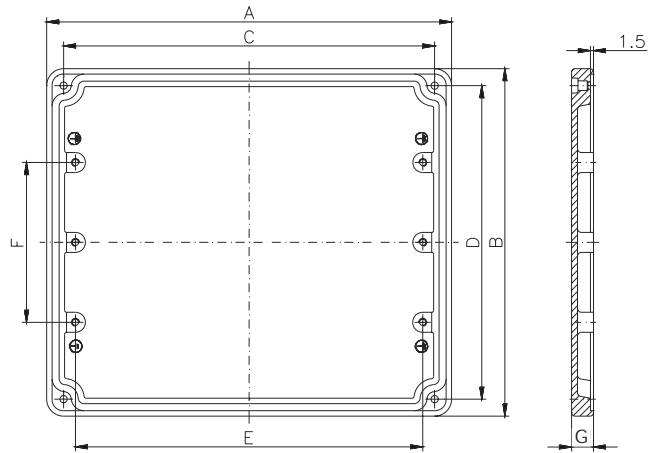


Type	A	B	C	D	E	F	G
07.05	105	112	94	74	85	100	4,5
07.06	135	165	155	95	140	120	5,5
07.07	196	196	186	157	165	182	5,5

Dimensions



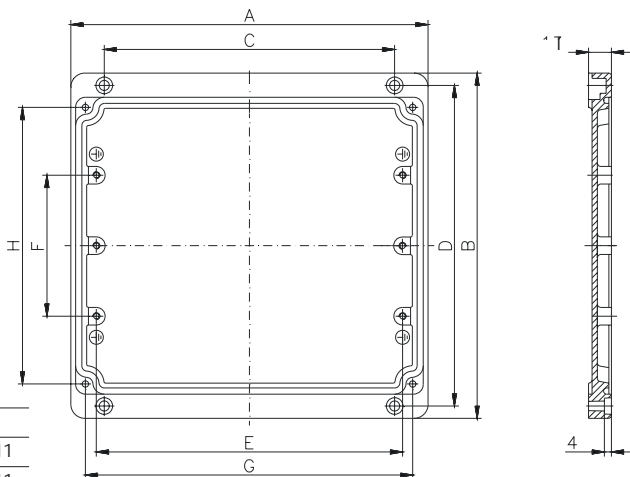
Cast aluminium flat lid



Type	A	B	C	D	E	F	G
07.05	112	92	94	74	85	-	9
07.06	172,5	112,5	155	95	145	-	9
07.07	203	174	186	157	174	80	11



Cast aluminium mounting rear panel



Type	A	B	C	D	E	F	G	H	I
07.05	112	112	85	100	85	-	94	74	11
07.06	172,5	135	140	120	145	-	155	95	11
07.07	203	196	165	182	174	80	186	157	13