



- Stainless steel control enclosure based on switch gear cabinet KSS
- Including amplifier plate and drill hole for ROSE GTH suspension system
- Optional individual sizes and versions from 25 off (see p. 31/32)

Technical data

Material:

stainless steel 1.25 mm or 1.5 mm; 1.4301 / 304

Ingress protection:

IP 65 to EN 60529

Seal:

VMQ (silicone)

EMC on request

Surface:

grinded, grain 240

Temperature range:

-40°C to +80°C

Included in delivery:

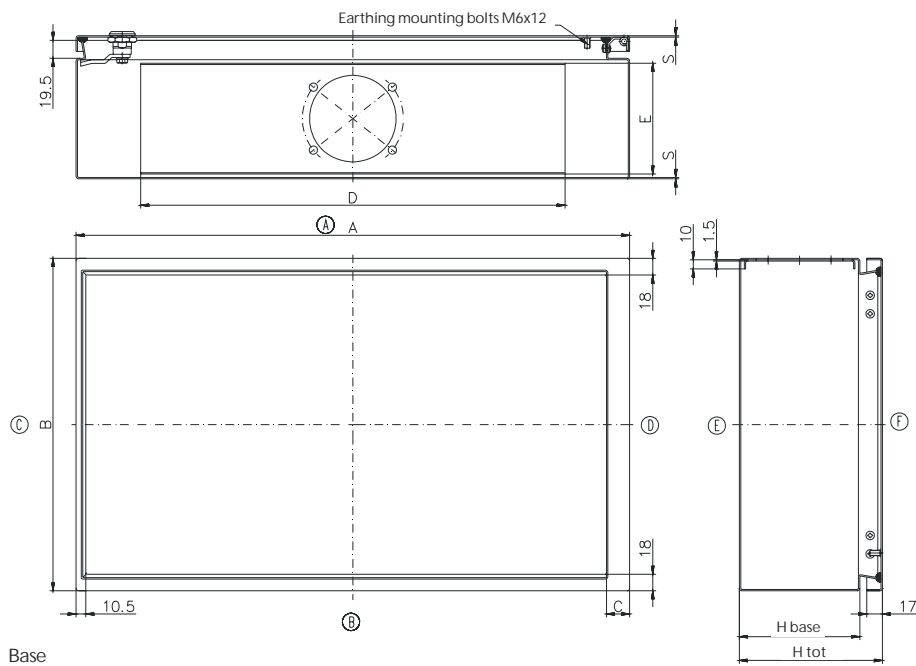
Enclosure system including amplifier plate and GTH coupling hole with door, double ward lock.

Commander KSSC

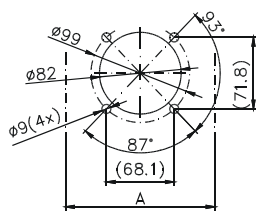
Programme range

Order No.	Weight (g)	Mounting plates	Dimensions (mm)								Drillings for suspension system (side A)
			A	B	C	D	E	S	H _b	H _{tot}	
37.02 23 15	3500	37.01 99 01	200	300	24,6	160	100	1.25	130,7	155	GTH 48 (picture 1)
37.02 34 21	6000	37.01 99 02	300	380	24,6	260	175	1.25	185,7	210	GTH 48 (picture 1)
37.02 43 15	5500	37.01 99 03	400	300	24,6	360	100	1.25	130,7	155	GTH 48 (picture 1)
37.02 46 21	11500	37.01 99 04	380	600	25,1	340	175	1.5	185,7	210	GTH 60 (picture 2)
37.02 55 21	10500	37.01 99 05	500	500	24,6	460	175	1.25	185,7	210	GTH 60 (picture 2)
37.02 64 15	10500	37.01 99 06	600	400	25,1	460	120	1.5	130,7	155	GTH 60 (picture 2)
37.02 68 21	19500	37.01 99 07	600	760	25,1	560	175	1.5	185,7	210	GTH 60 (picture 2)
37.02 99 00			Special size								

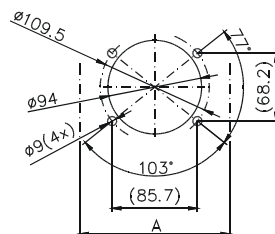
Cutout of size, state by order
 Special size: from 25 pcs/order



Picture 1:
Coupling drill hole (GTH 48)



Picture 2:
Coupling drill hole (GTH 60)



Accessories

Handle for KSSC (see version C420, page 20) on request