



- Stainless steel control enclosure system for hygienic areas
- High quality surface
- Integrated handle set

Technical data

Material:
 enclosure body/door:
 stainless steel 1.4301 (304);
 wall thickness 1.5 mm
 other materials on request

Ingress protection:
 IP 65 to EN 60529

Seal:
 VMQ (silicone)
 EMC on request

Surface:
 grinded, grain 240

Temperature range:
 -40°C to +80°C

Included in delivery:

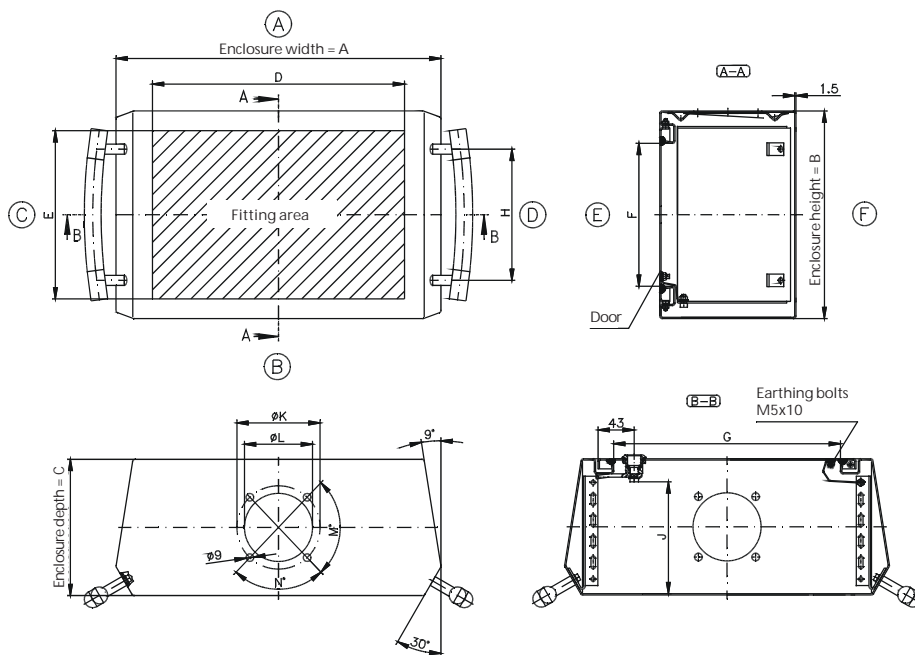
Enclosure body - depending on design with closed or individually fitted enclosure front, door at the rear, internal mounting bracket, handle set and coupling hole for ROSE stainless steel GTH mounting system

Commander 400

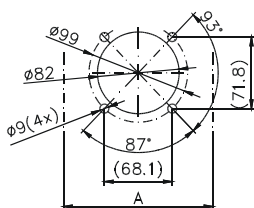
Programme range

| Order No. | Weight (g) | Dimensions (mm) | | | | | | | | | | | | | Drillings for suspension system (side A) |
|--------------|------------|-----------------|-----|-----|-----|-----|-----|-----|-----|-----|-----|----|-----|------|--|
| | | A | B | C | D | E | F | G | H | J | K | L | M | N | |
| 56.01 04 01 | 7500 | 387 | 247 | 162 | 300 | 200 | 170 | 270 | 156 | 132 | 99 | 82 | 93° | 87° | Picture 1 (GTH 48) |
| 56.02 04 01 | 9000 | 487 | 247 | 162 | 400 | 200 | 170 | 370 | 156 | 132 | 99 | 82 | 93° | 87° | Picture 1 (GTH 48) |
| 56.03 04 01 | 12000 | 499 | 347 | 212 | 400 | 300 | 270 | 370 | 256 | 182 | 99 | 82 | 93° | 87° | Picture 1 (GTH 48) |
| 56.04 04 01 | 14500 | 507 | 447 | 212 | 408 | 400 | 370 | 378 | 356 | 182 | 99 | 82 | 93° | 87° | Picture 1 (GTH 48) |
| 56.05 04 01 | 14000 | 599 | 347 | 212 | 500 | 300 | 270 | 470 | 256 | 182 | 109 | 94 | 77° | 103° | Picture 2 (GTH 60) |
| 56.06 04 01 | 19500 | 619 | 447 | 292 | 500 | 400 | 370 | 470 | 356 | 262 | 109 | 94 | 77° | 103° | Picture 2 (GTH 60) |
| 56.07 04 01 | 24500 | 737 | 447 | 362 | 600 | 400 | 370 | 570 | 356 | 332 | 109 | 94 | 77° | 103° | Picture 2 (GTH 60) |
| 56.99 04 92* | | Special size | | | | | | | | | | | | | on request |

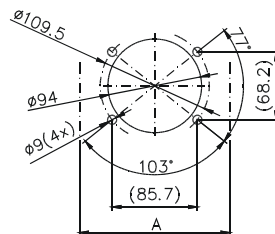
* Special size: above 25 pcs./order
Cutout of size, state by order



Picture 1:
Coupling drill hole (GTH 48)



Picture 2:
Coupling drill hole (GTH 60)



Accessories

Mounting angle set

56.00 00 05