

Ex Polyester enclosures for mining



- Polyester enclosures with impact resistance of 20 Joule
- Empty enclosures for individual fittings
- Silicone seal and allen lid screws



Technical Data

Explosion protection

⊕ I M 1 Ex ia I

⊕ I M 2 Ex e I

Certificates

IBExU, 06 ATEX 1065U

Material

glass fibre reinforced duroplastic polyester, graphite added

Colour

RAL 9011, graphite black

Ingress protection

IP 54 to EN 60529

Impact resistance

20 Joule to EN 60079-0

Flammability

self-extinguishing, UL 94 V-0

Surface resistance

<10⁹ Ohm to IEC 60093

Toxicity

halogen-free

Temperature range

-55°C to +100°C

Included in delivery

Empty enclosure:

Enclosure system with silicone seal

Junction box:

Enclosure system - depending on version with silicone seal, DIN rails, internal earthing connection, terminals, continuity plate, manufacturing, cable glands

Product range

Order No.	dimensions (H x W x D) mm
48.08 08 06	75 x 80 x 56
48.08 08 08	75 x 80 x 75
48.08 11 06	75 x 110 x 56
48.08 11 08	75 x 110 x 75
48.08 16 06	75 x 160 x 56
48.08 16 08	75 x 160 x 75
48.08 19 06	75 x 190 x 56
48.08 19 08	75 x 190 x 75
48.12 12 09	120 x 122 x 91
48.12 22 09	120 x 220 x 91
48.16 16 09	160 x 160 x 91
48.16 26 09	160 x 260 x 91
48.16 36 09	160 x 360 x 91
48.16 56 09	160 x 560 x 91
48.25 26 12	250 x 255 x 121
48.25 26 16	250 x 255 x 161
48.25 40 12	250 x 400 x 121
48.25 40 16	250 x 400 x 161
48.25 60 12	250 x 600 x 121
48.36 36 09	360 x 360 x 91
48.41 40 12	405 x 400 x 121
48.41 40 20	405 x 400 x 201

Accessories

Typ	DIN rail* TS 15 TS 35	PE bar	PE bus bar	allen lid screws	sealable lid screws	external mounting brackets	external hinge	continuity plate	mounting plate
48.08 08 06	•		•	•	•	•		•	2,0
48.08 08 08	•		•	•	•	•		•	2,0
48.08 11 06	•		•	•	•	•		•	2,0
48.08 11 08	•		•	•	•	•		•	2,0
48.08 16 06	•		•	•	•	•		•	2,0
48.08 16 08	•		•	•	•	•		•	2,0
48.08 19 06	•		•	•	•	•		•	2,0
48.08 19 08	•		•	•	•	•		•	2,0
48.12 12 09	•		•	•	•	•		•	-
48.12 22 09	•		•	•	•	•		•	-
48.16 16 09	•	•	•	•	•	•	•	•	1,5
48.16 26 09	•	•	•	•	•	•	•	•	1,5
48.16 36 09	•	•	•	•	•	•	•	•	1,5
48.16 56 09	•	•	•	•	•	•	•	•	1,5
48.25 26 12	•	•	•	•	•	•	•	•	2,0
48.25 26 16	•	•	•	•	•	•	•	•	2,0
48.25 40 12	•	•	•	•	•	•	•	•	2,0
48.25 40 16	•	•	•	•	•	•	•	•	2,0
48.25 60 12	•	•	•	•	•	•	•	•	2,0
48.36 36 09	•	•	•	•	•	•	•	•	2,0
48.41 40 12	•	•	•	•	•	•	•	•	2,0
48.41 40 20	•	•	•	•	•	•	•	•	2,0

* TS 32 on request

External mounting brackets (4 pcs.) for 48.08 11 08 bis 48.08 16 08	10.03 11 01
External mounting brackets (4 pcs.) ab 48.08 19 08	10.03 11 02
External hinge (pair) ab 48.12 12 09	10.02 70 01

For further technical informations see page 163 ff

8. Technical annex

The technical annex shows detail informations of accessories as well as detail fitting tables and technical drawings.

Pictogram

	Dimension * h = height; w = width; d = depth		Cable glands, no.
	Cross connection		No. of terminals
	No. of flanges per side		Empty enclosure
	External mounting bracket		max. no. of internal cables
	External earthing, dimension in mm ²		Sheath clamp
	External earth bolt, dimension		Mounting plate
	max. fitting length		Continuity plate
	Blind flange, no. / side		Sealable lid screw
	Corner dimension, cable gland		PE bus bar
	Enclosure		PE bar
	Internal hinge		Current
	External hinge		DIN rail
	Weight		max. no. of DIN rails
	Threaded insert		Connecting flange
	Allen lid screw		Corrosion protection
	EMC		Silicone lid seal

Ex Polyester enclosures for mining



These enclosures are certified (partition approval) to mining area I M2 and I M1.

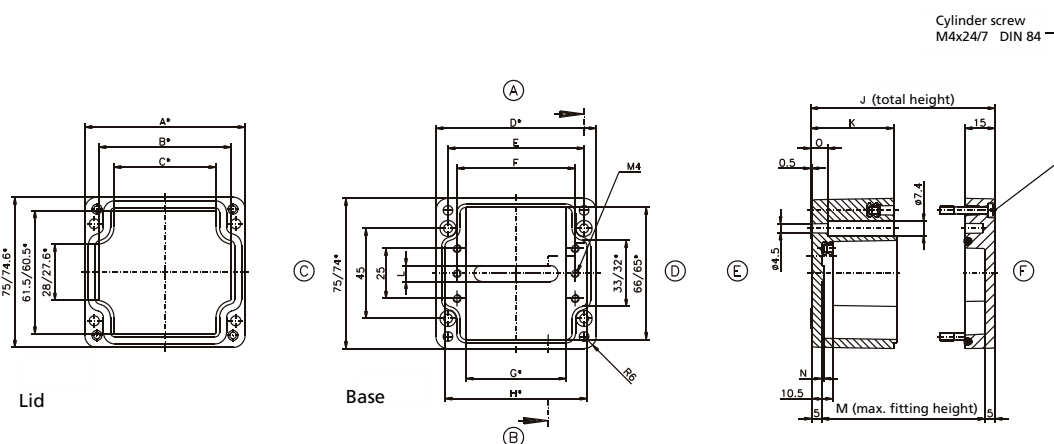
For terminal fitting and cable mounting see

Ex II Polyester Ex enclosures

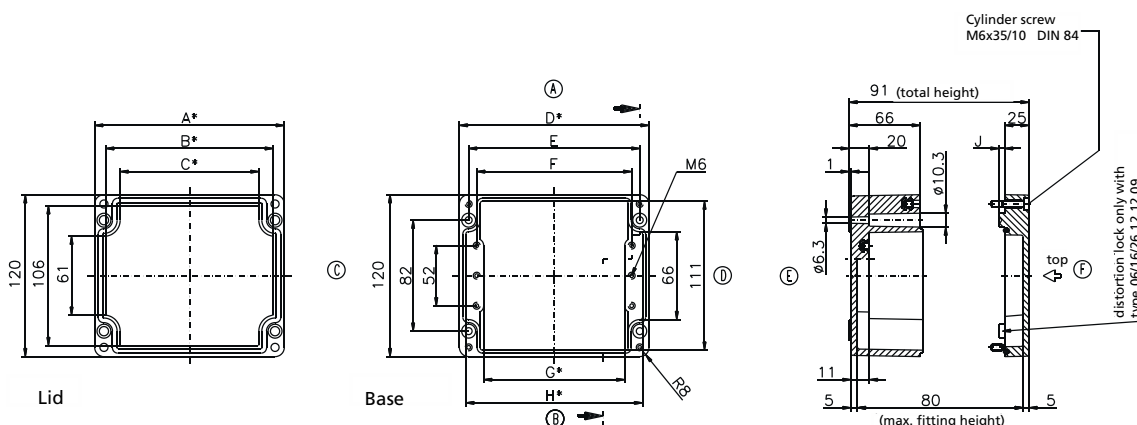
Note: Only use of Ex-I approved cable glands is permitted.

Dimensions

Type	A	B	C	D	E	F	G	H	J	K	L	M	N	O
48.08 08 06	80	66	51	80	68	59	50	71	56,5	41,5	8	46	1	8,5
48.08 08 08	80	66	51	80	68	59	50	71	75,5	60,5		65		9,5
48.08 11 06	110	96	81	110	98	89	80	101	56,5	41,5	8	46	1	8,5
48.08 11 08	110	96	81	110	98	89	80	101	75,5	60,5		65		9,5
48.08 16 06	160	146	131	160	148	139	130	151	56,5	41,5	8	46	1	8,5
48.08 16 08	160	146	131	160	148	139	130	151	75,5	60,5		65		9,5
48.08 19 06	190	176	161	190	178	169	160	181	56,5	41,5		46		8,5
48.08 19 08	190	176	161	190	178	169	160	181	75,5	60,5		65		9,5



Type	A	B	C	D	E	F	G	H	J
48.12 12 09	122	108	85	122	106	95	82	113	5
48.12 22 09	220	206	183	220	204	193	180	211	

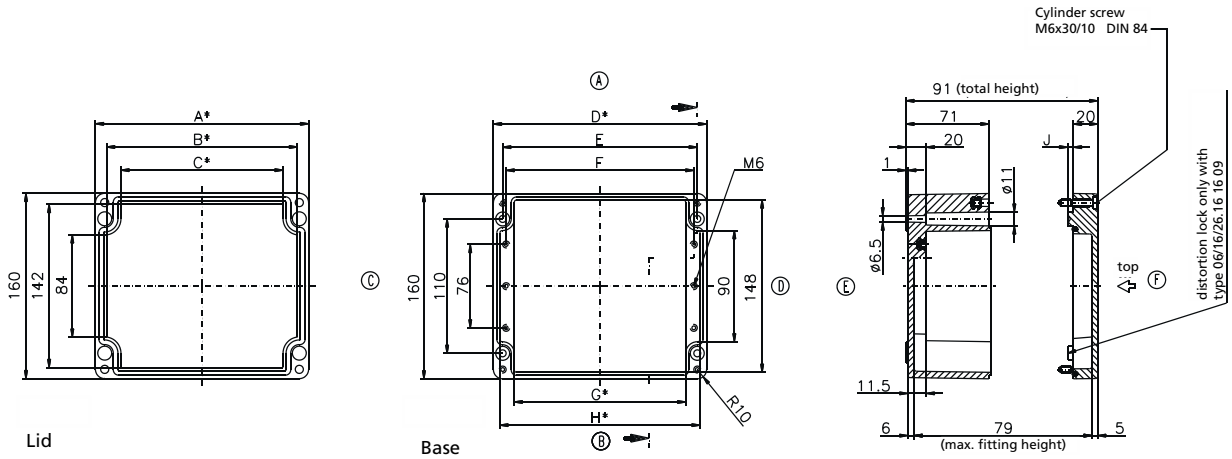


Ex Polyester enclosures for mining

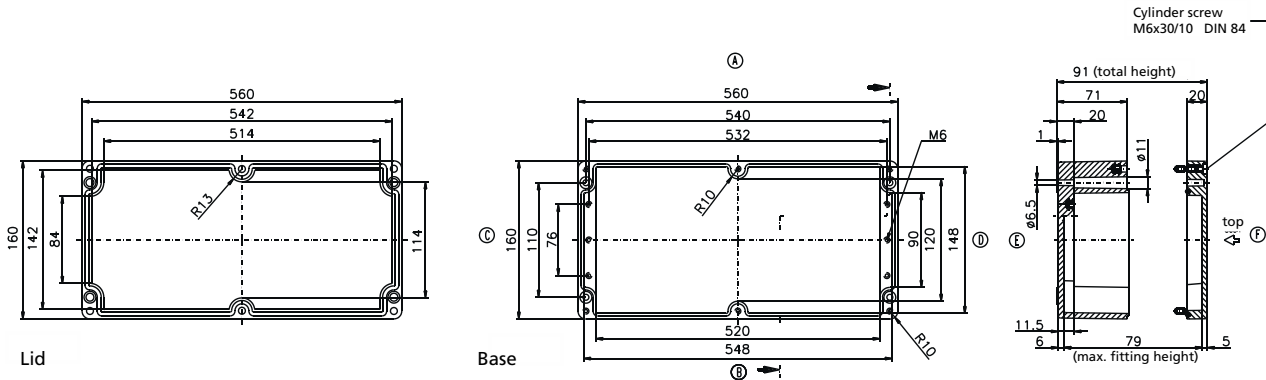


Dimensions

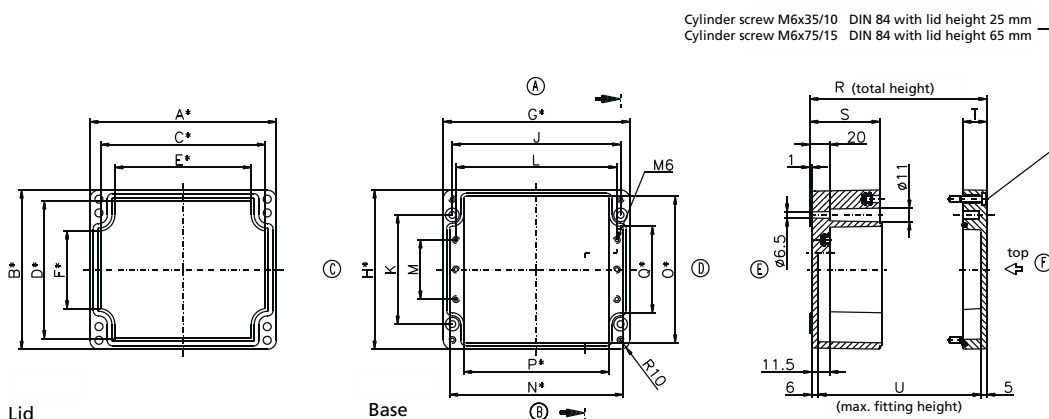
Type	A	B	C	D	E	F	G	H	J
48.16 16 09	160	142	114	160	140	132	120	148	5,5
48.16 26 09	260	242	214	260	240	232	220	248	
48.16 36 09	360	342	314	360	340	332	320	348	



Type: **48.16 56 09**



Type	A	B	C	D	E	F	G	H	J	K	L	M	N	O	P	Q	R	S	T	U
48.25 26 12	255	250	237	232	209	174	255	250	235	200	227	100	243	238	215	180	121	96	25	109
48.25 26 16	255	250	237	232	209	174	255	250	235	200	227	100	243	238	215	180	161	96	65	149
48.25 40 12	400	250	382	232	354	174	400	250	380	200	372	100	388	238	360	180	121	96	25	109
48.25 40 16	400	250	382	232	354	174	400	250	380	200	372	100	388	238	360	180	161	96	65	149

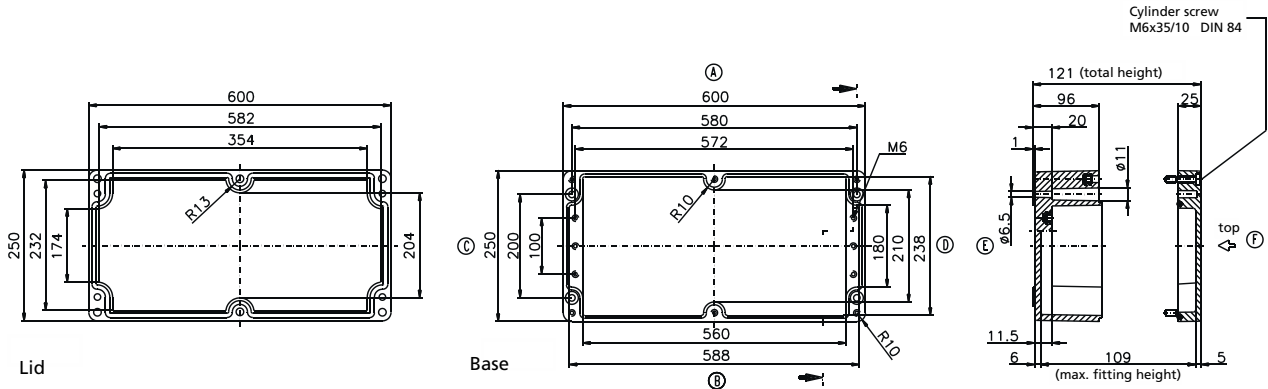


Ex Polyester enclosures for mining

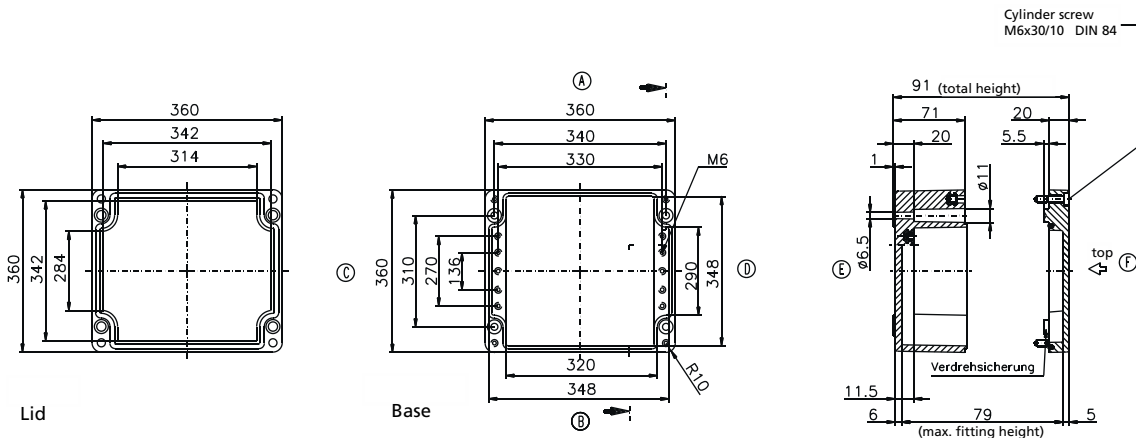


Dimensions

Type: **48.25 60 12**



Type: **48.36 36 09**



Type	A	B	C	D	E	F	G	H	J
48.41 40 12	400	405	360	335	388	393	121	96	109
48.41 40 20	400	405	360	335	388	393	201	176	189

