

2. Ex Empty enclosures for Handheld applications



Beluga 180 Ex, Beluga 220 Ex

- Break-proof polyamide handheld enclosure with reduced surface resistance $<10^9$ Ohm
- Version with window or closed complete
- Ergonomic enclosure design

Beluga 380 Ex

- Break-proof polyamide handheld enclosure with reduced surface resistance $<10^9$ Ohm
- Huge area for Ex control devices



Fitting

- Individual customized fitting

Ex Polyamide Handheld enclosures Beluga



- Handheld enclosures as empty enclosure for Ex applications
- 3 enclosure sizes
- Optional version with display area



Technical Data

Explosion protection

⊕ II 2 G

⊕ Ex e II

Certificates

PTB 02 ATEX 1076U, IECEx PTB 09.0019U

Material

Polyamide 12

Colour

RAL 9005, jet black

Ingress protection

IP 65 to EN 60529

Impact resistance

7 Joule to EN 60079-0

Flammability

UL 94 HB

Surface resistance

<10⁹ Ohm to IEC 60093

Temperature range

-20°C to +60°C

Included in delivery

Enclosure system with lid and base with seal
Version 0=open including display window and mounting material

Product range

Type	Order No.	dimensions (H x W x D) mm	max. display size in mm
Beluga 180 O-Ex	28.02 02 00	106/75 x 187 x 50	66 x 43
Beluga 180 G-Ex	28.02 02 01	106/75 x 187 x 50	
Beluga 220 O-Ex	28.02 04 00	116/85 x 220 x 51	79 x 50
Beluga 220 G-Ex	28.02 04 01	116/85 x 220 x 51	
Beluga 380 Ex	28.02 05 01	380 x 117 x 68	

Accessories

Hook set (B 180/B 220)	27.02 00 80
Hand strap (B 180/B 220)	27.02 00 83
Carrying strap (B 380)	27.02 05 80
Hand strap (B 380)	27.02 05 81
Wall holder set (B 380)	27.02 05 82
Spare display screen Ex Beluga 180	28.99 00 01
Spare display screen Ex Beluga 220	28.99 00 02

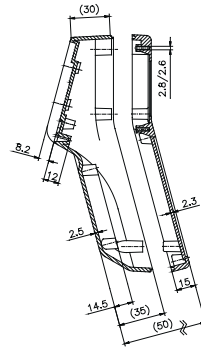
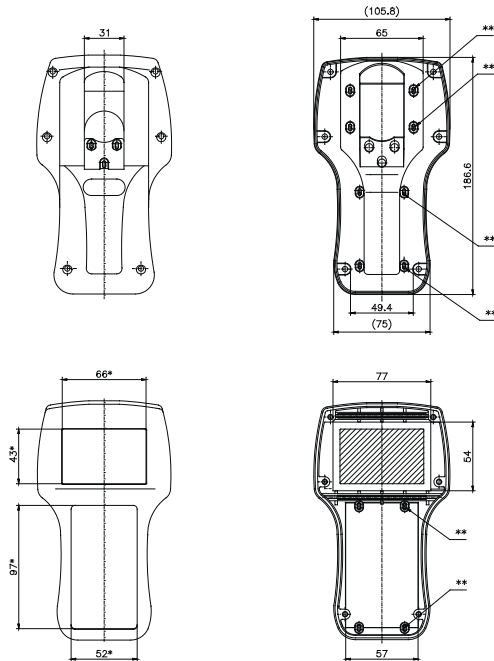
Ex Polyamide Handheld enclosures Beluga



Dimensions

Type	Version	Order No
Beluga 180 O-Ex	open area	28.02 02 00
Beluga 180 G-Ex	closed area	28.02 02 01

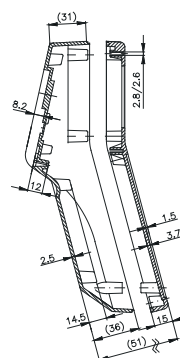
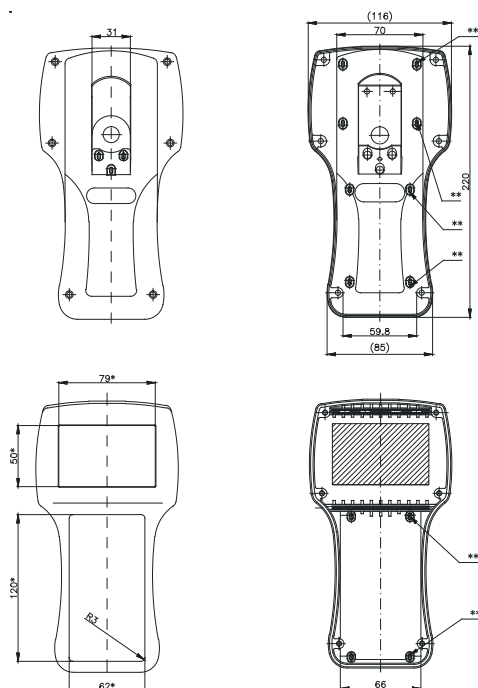
(max. PCB dimension of display 74 x 56,4 mm or 80 x 54 mm)



* = cutout dimension
 ** = boss for PCB mounting (screw 3 x 8)

Type	Version	Order No.
Beluga 220 O-Ex	open area	28.02 04 00
Beluga 220 G-Ex	closed area	28.02 04 01

(max. PCB dimension of display 84 x 71,5 mm or 86 x 70,5 mm)



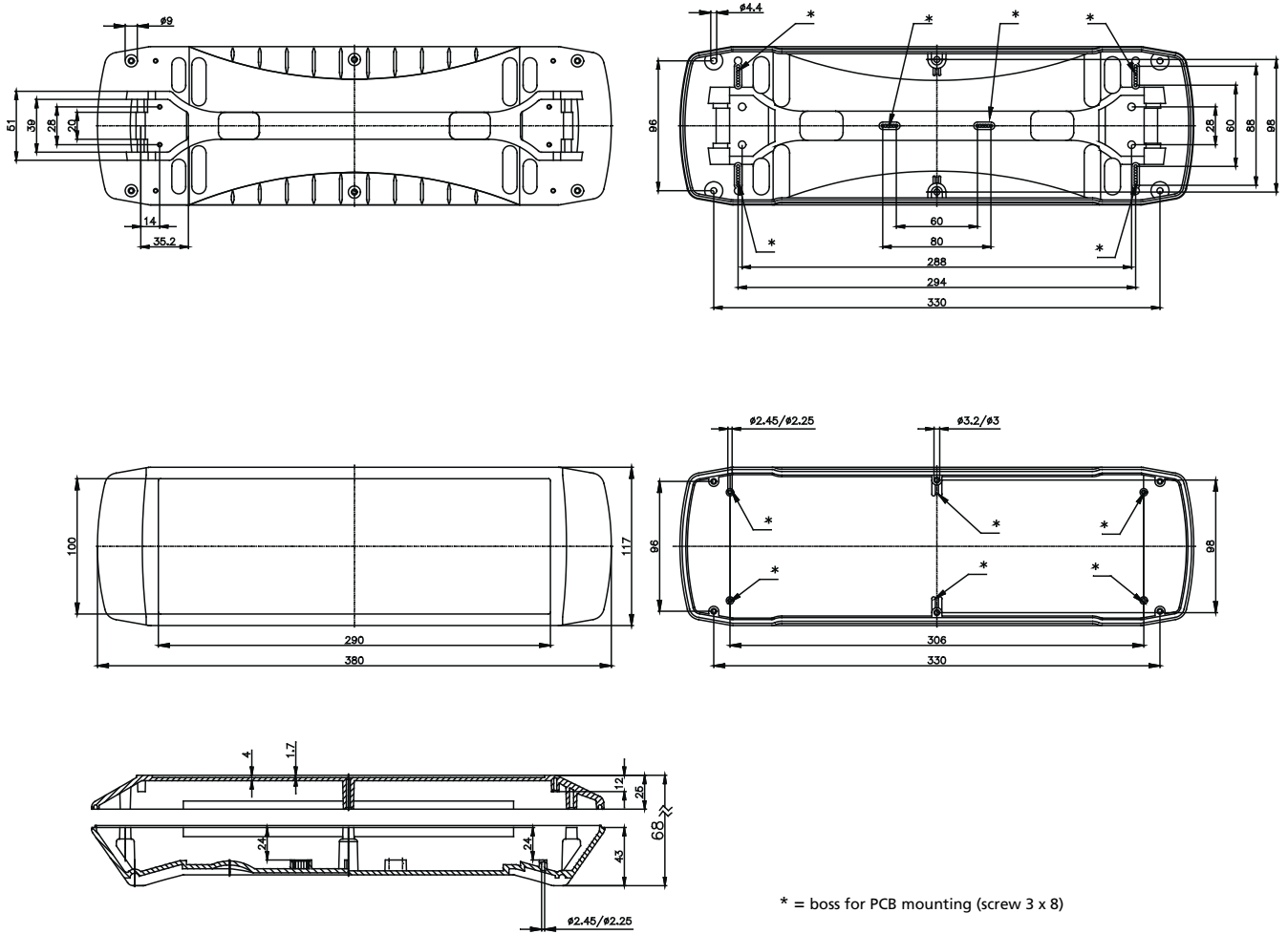
* = cutout dimension
 ** = boss for PCB mounting (screw 3 x 8)

Ex Polyamide Handheld enclosure Beluga

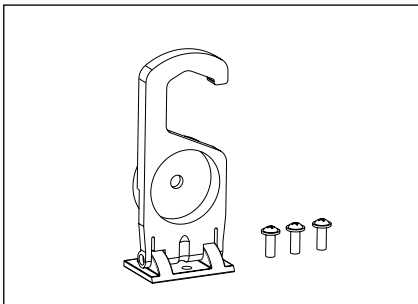


Dimensions

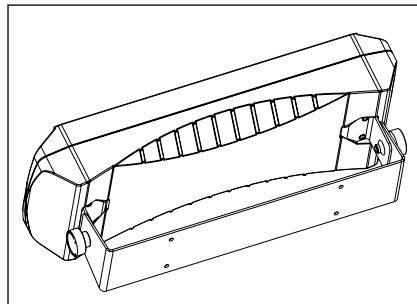
Type	Order No.
Beluga 380 Ex	28.02 05 01



Accessories



Hook set



Wall mounting set