



- Universal control enclosure for automation engineering
- Variable size in height, width and depth
- Hinged door profile at front and rear
- Front panel insertion from front or rear

#### **Included in delivery:**

Enclosure body with rear panel, fixing elements, cover profile with corners

#### **Technical data**

##### **Material:**

profile: DIN EN 573 EN AW-AlMgSi

cast corners: DIN EN 1706 EN AC-AISI12Cu1 (Fe)

##### **Seal:**

CR- and/or PU-foam

##### **Painting:**

powder coating

##### **Colour:**

optional RAL 7035, light grey, or

natural anodized

special colour on request

##### **Ingress protection:**

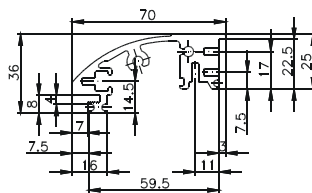
IP 65 to EN 60529

##### **Temperature range:**

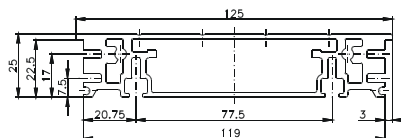
-30°C to +80°C

*Profile for installation with front panel*

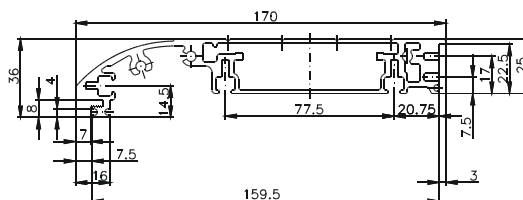
*Profile 1 Hinged frame profile*



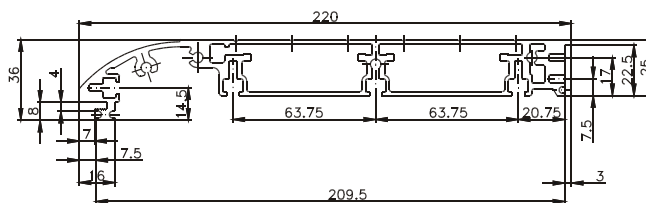
*Profile 2 Intermediate frames*



*Profile 3 Body profile 170*

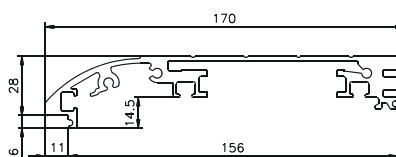


*Profile 4 Body profile 220*

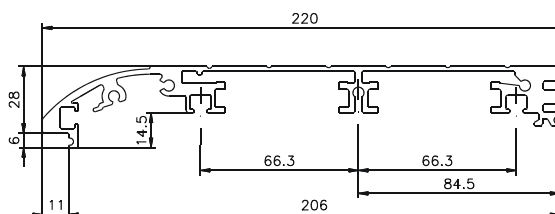


**II. Profile for direct mounting of installation**

*Profile 3 direct mounting*



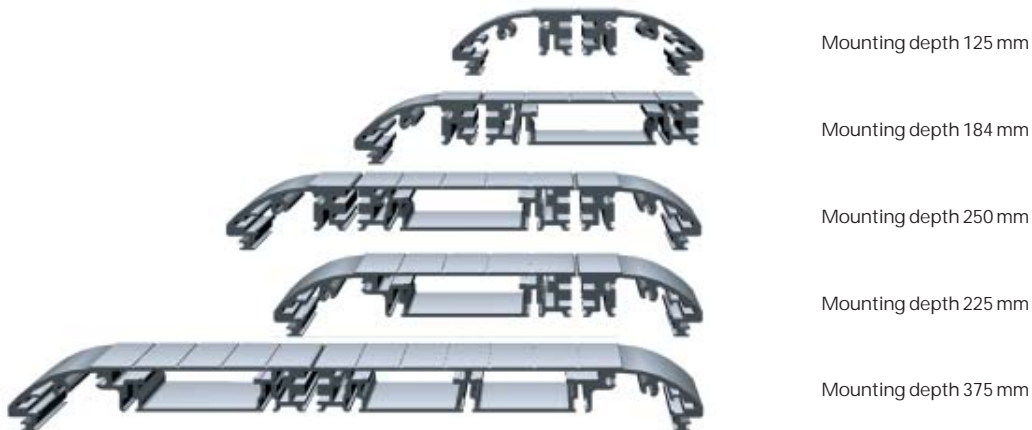
*Profile 4 direct mounting*



**Profile info:**

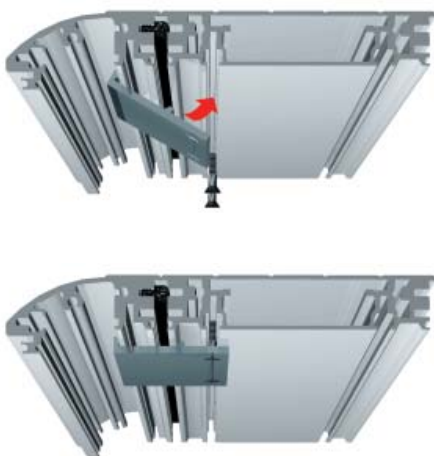
- All profiles can be combined with one another
- Profiles can be attached with fixed or hinged connections.
- If straight profile side (see example 2) the rear panel can also be designed as a door.
- The max. mounting depth in the case of operational enclosures is 675 mm (Profile 4 + 2 + 2 + 4)
- The max. mounting depth with console attached is 425 mm (Profile 4 + 4)
- The max. enclosure size is limited by the front panel to 1000 x 1000 mm

*Example of profile combination options*



*Profile connection options*

*Fixed*

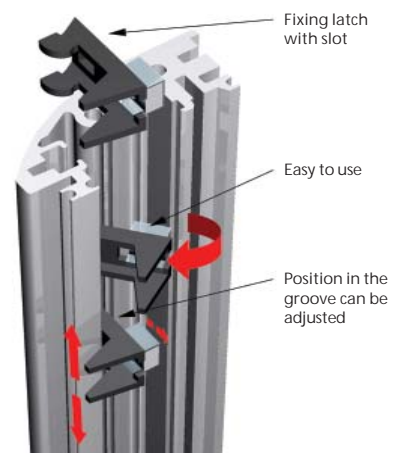


*Hinged*



*Front panel fastening*

- Zinc diecast latch with slot for insertion of M4 or M5 rack connecting nuts screwed version
- Turn the catch round to enable the front panel to be screwed in directly from the back



- Flush closure with profile
- With M4 or M5 rack connecting nut
- Concealed capping screw heads
- Latch reversed screwed into profile

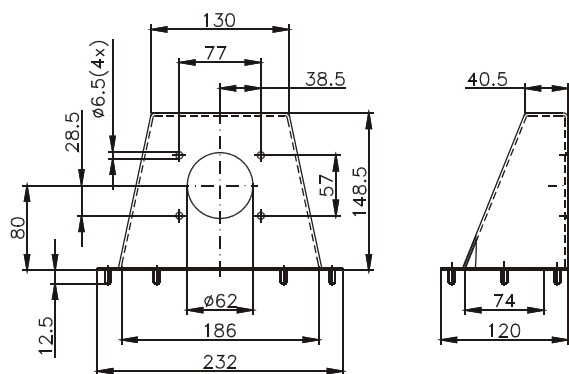
## Suspension linkage

Profile	GTK electronic	GT 48/2	GTN II	GT 50/2	GT 60/2	GT 80/2	GTK 80
1	Adapter fitting	Adapter fitting	Adapter fitting	Adapter fitting	Adapter fitting	-	-
1 + 1 (fixed or hinged)	Adapter fitting	Adapter fitting	Adapter fitting	Adapter fitting	Adapter fitting	-	-
1 + 2 (hinged)	•	•	•	•	•	•	-
1 + 2 (fixed)	•	•	•	•	•	•	•*
1 + 2 (hinged) + 1 (hinged)	•	•	•	•	•	•	-
1 + 2 (hinged) + 1 (fixed)	•	•	•	•	•	•	•*
1 + 2 (fixed) + 1 (fixed)	•	•	•	•	•	•	•
2	•	•	•	•	•	•	-
3	•	•	•	•	•	•	-
3 + 1 (hinged)	•	•	•	•	•	•	-
3 + 1 (fixed)	•	•	•	•	•	•	•**
3 + 2 (hinged) + 1 (hinged)	•	•	•	•	•	•	-
3 + 2 (fixed) + 1 (hinged)	•	•	•	•	•	•	•
4	•	•	•	•	•	•	•

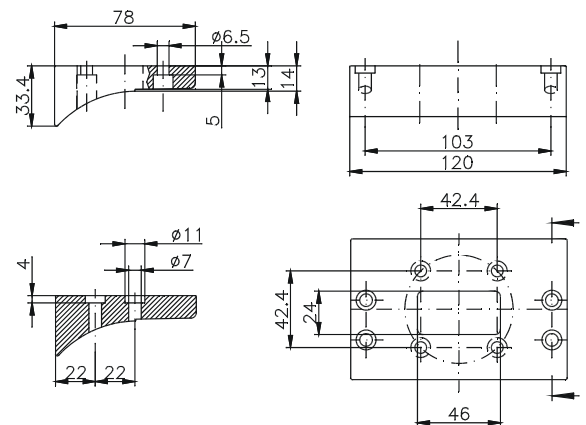
\* 10 mm projection downstream of at rear

\*\* every 5 mm projection to front and at rear

### Adapter plate GT 50/2 and GT 60/2



### Coupling flange for GTK electronic

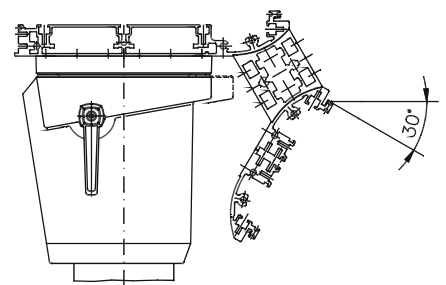


### SL 3000 console enclosure (console attachment set 30°) with apparatus rack - connection from below

Suspension system	max. profile structure operating enclosure	Console attachment
GT 50/2	Profile 3	Profile 1 + 1
GT 50/2	Profile 1 + 2	Profile 1 + 2
GT 50/2	Profile 4	Profile 3
GT 60/2	Profile 1 + 2	Profile 1 + 1
GT 60/2	Profile 1 + 2	Profile 1 + 2
GT 60/2	Profile 4	Profile 3
GT 80/2	Profile 1 + 2	Profile 1 + 1
GT 80/2	Profile 4	Profile 1 + 1

Example:

Operating enclosure Profile 4, console Profile 1 + 1



### Combination info:

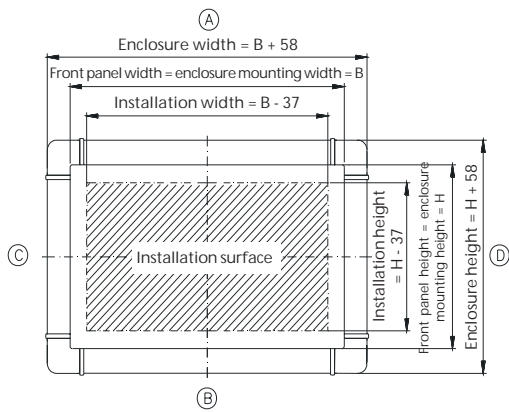
Due to the profile depth of the operating enclosure and the mounting depth of the console you must allow sufficient space for the apparatus rack system (see Example):

**Dimensions**

**Front panel**

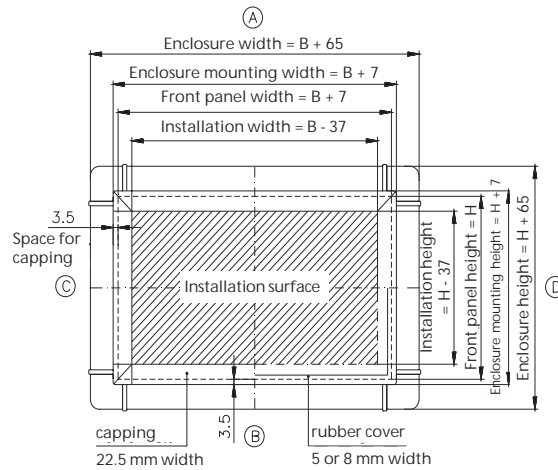
Version I

Front panel without cover profile or rubber cover



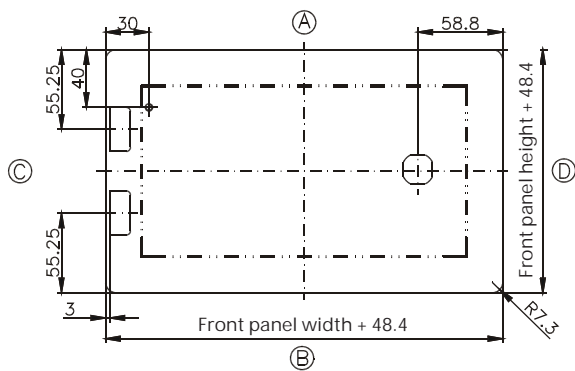
Version II

Front panel with cover profile or rubber cover surrounding

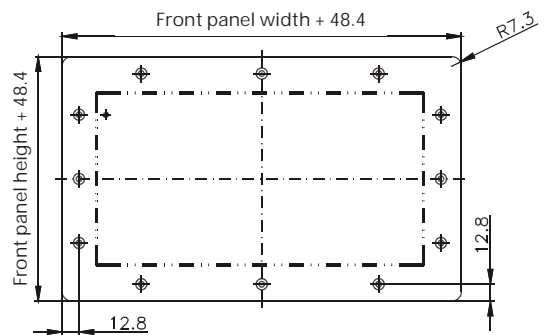


**Rear panel**

as door



screwed



Enclosure height (mm)	Hinge	Latch
≥ 402 to ≤ 600	3	2
> 600 to ≤ 800	4	3
> 800 to 1000	5	4

From a width of > 700 mm the door is reinforced to comply with enclosure rating.

**Info:**

The drill holes for the screwed rear panel is determined by the size of the front panel and are determined at the factory (spaced at between 100 and 150 mm).

Accessories



**Handle set**

The length of the handles is determined by the size of the front panel.

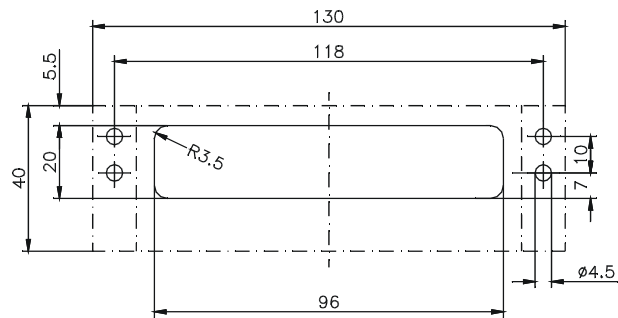
Width/height of front panel (mm)	Handle length (mm)
265-314	250
315-364	300
365-414	350
415-464	400
465-514	450
515-614	500
615-664	600
665-714	650
715-764	700
765-814	750
ab 815	800



**Disc drive bay**

For installation of standard disk drive from the side into the profile or the front panel. Enclosure rating IP 65 when flap is closed.

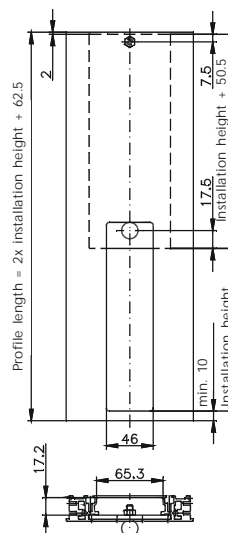
Insert space for disc drive bay



**Insert bay**

Available for Profiles 2, 3 and 4. The ingress protection is determined by the fitted equipment. It is possible to modify the interior enclosure panel walls individually. The size of the enclosure gives the maximum connector area.

In the case of profile combinations it is provided on the hinge side!

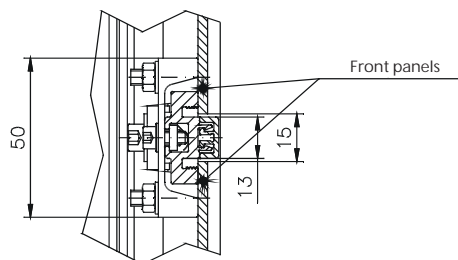


Accessories



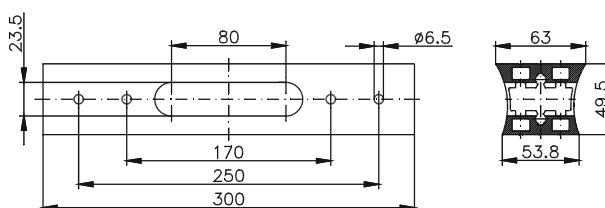
**Linking bar**

For installation of two or more front panels into one enclosure



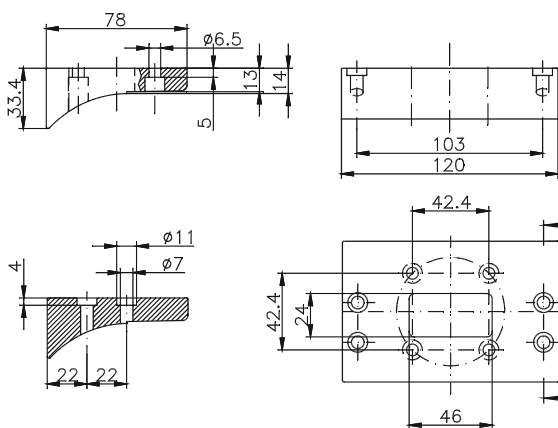
**Console attachment set**

30° or 50° inclination possible depending on assembly. Standard length 300 mm, larger or smaller lengths on request.



**Coupling flange**

20.60 10 07 Coupling flange GTK electronic / GT 48/2 / SL 3000 P1



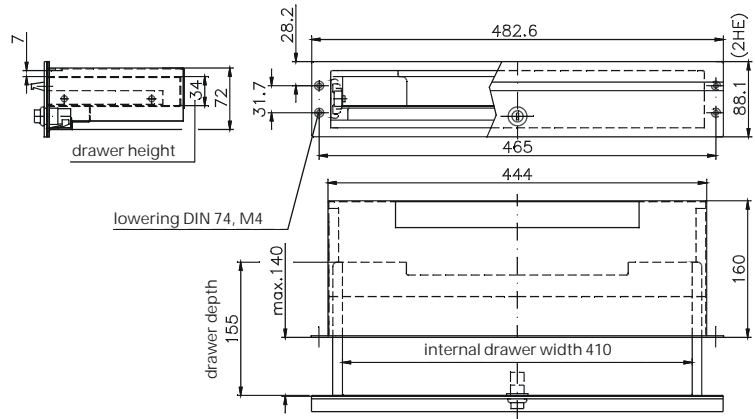
Accessories



**Keyboard drawer**

Drawer for keyboards, installation into Commander systems, IP 40 to front side, optionally with keyboard

Order No. **10.99 20 01**

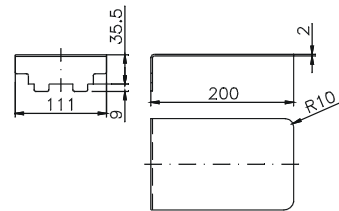


**FCP - Foil Control Panel**

Order No.	
<b>20.60 10 50</b>	Foil Control Panel 240/3
<b>20.60 10 51</b>	Foil Control Panel 335/5
<b>20.60 10 52</b>	Foil Control Panel 483/8

**Mousepad rack**  
for keyboard drawer

Order No. **10.99 20 02**



**Other accessories**

Locking plate, powdered, GT 48/2 and GTK electronic	<b>20.60 30 01</b>	Document holder for handle mounting	<b>20.60 10 04</b>
Locking plate, powdered GT 50/2 and GT 60/2	<b>20.60 30 02</b>	Document holder for direct mounting	<b>20.60 10 05</b>
Locking plate, powdered GT 80/2	<b>20.60 30 03</b>	Mousepad rack	<b>20.60 10 06</b>
Locking plate, powdered GTK 80	<b>20.60 30 04</b>	Coupling flange GTK electronic / GT 48/2 / SL 3000	<b>20.60 10 07</b>
Locking plate GTN II	<b>20.60 30 05</b>	Adapter plate P1 / P2 on GT 80/2	<b>20.60 10 08</b>
Locking plate, anodized GT 48/2 and GTK electronic	<b>20.60 30 11</b>	Foil control panel 240/3	<b>20.60 10 50</b>
Locking plate, anodized GT 50/2 and GT 60/2	<b>20.60 30 12</b>	Foil control panel 335/5	<b>20.60 10 51</b>
Locking plate, anodized GT 80/2	<b>20.60 30 13</b>	Foil control panel 483/8	<b>20.60 10 52</b>
Locking plate, anodized GTK 80	<b>20.60 30 14</b>	Mounting angle set	<b>10.03 31 01</b>
Locking plate, anodized GTN II	<b>20.60 30 15</b>	Installation rail set, rail length 80 mm	<b>54.00 00 16</b>
Fastening set M4 (set = 12 pieces)	<b>20.60 10 01</b>	Installation rail set, rail length 160 mm	<b>54.00 00 24</b>
Fastening set M5 (set = 12 pieces)	<b>20.60 10 02</b>	Installation rail set, rail length 240 mm	<b>54.00 00 32</b>
Fastening set front panel (set = 12 pieces)	<b>20.60 10 03</b>	Keyboard drawer	<b>10.99 20 01</b>
		Mousepad rack	<b>10.99 20 02</b>

Company \_\_\_\_\_  
 Contact \_\_\_\_\_  
 Address \_\_\_\_\_

Telephone \_\_\_\_\_  
 Fax \_\_\_\_\_  
 E-Mail \_\_\_\_\_

**Dimensions Operational enclosure**

Console versions, please also fill out the following page - „Console attachment enclosures“.

**Mounting depth**

T (mm) \_\_\_\_\_ of combination of profiles (please always specify from front to rear):

Profile no. \_\_\_\_\_ + Profile no. \_\_\_\_\_ + Profile no. \_\_\_\_\_ + Profile no. \_\_\_\_\_

Connection:  fixed  hinged side \_\_\_\_\_  fixed  hinged side \_\_\_\_\_  fixed  hinged side \_\_\_\_\_

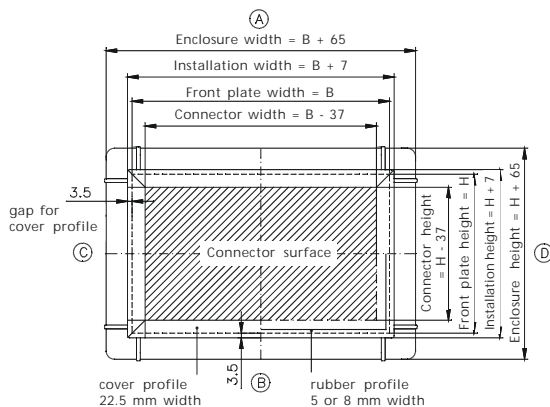
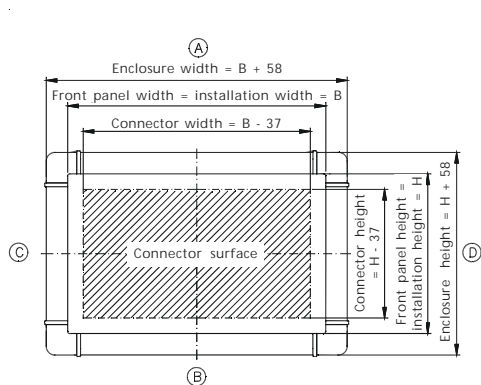
**Dimensions**

Please specify front panel dimensions W x H (mm) \_\_\_\_\_ x \_\_\_\_\_

and/or manufacturer/type \_\_\_\_\_

Version I  
 Front plate without cover profile or rubber profile

Version II  
 Front plate surrounding with cover profile or rubber profile



**Front plate**

- without front plate (direct mounting)  with M4 fixing set or  with M5 fixing set
- Front plate with stud bolts (flush without cover profile, dimensions, see drawing version I)
- Front plate with stud bolts (with cover profile, dimensions, see drawing version II)
- Front plate with drill holes
- Cover profile 22.5 mm (plastic black, dimensions s. version II)
- Cover profile for front plate, 5 mm rubber (Version II)
- Cover profile for front plate, 8 mm rubber (Version II)
- other front plate \_\_\_\_\_
- Finish in accordance with drawing no.: \_\_\_\_\_ (please attach)
- and/or specify manufacturer/controller type: \_\_\_\_\_
- Separation fin quantity Position in accordance with drawing-no.: \_\_\_\_\_

Drawing no.: D-SL 3000 - \_\_\_\_\_ Bl. 1

Accessories SL 3000 for enquiry/ order

Company \_\_\_\_\_

Rear panel

- with straight closure  screwed  hinged, hinges side \_\_\_\_\_
- with rounded closure  screwed, flush  with stud bolts, flush
- Modified according to drawing-no. \_\_\_\_\_ (please enclose if available)

Lock types

- Square 8 mm (Standard)
- Square 7 mm  Triangular 7 mm  Triangular 8 mm
- Double ward 3 mm  Other \_\_\_\_\_

Colour

- Standard:  Profile RAL 7035, corner pieces RAL 9006, corner caps RAL 7035 powder-coated or
- Natural anodized profile, corner pieces RAL 9006, corner caps RAL 9007 powder-coated
- Special colours (please specify RAL colour for each):
- Profile RAL \_\_\_\_\_ Corner pieces RAL \_\_\_\_\_ Corner caps RAL \_\_\_\_\_

Suspension system

- GTK electronic, side \_\_\_\_\_  GT 48/2, side \_\_\_\_\_
- GT 50/2, side \_\_\_\_\_  GT 60/2, side \_\_\_\_\_  GT 80/2, side \_\_\_\_\_
- GTN II, side \_\_\_\_\_  GTK 80, side \_\_\_\_\_ (not Profile 1)
- Moterm  Moterm with console
- Connection to console connector
- Connection to profile
- Other \_\_\_\_\_ Drawing-no.: \_\_\_\_\_ side \_\_\_\_\_

Total weight of fittings approx. \_\_\_\_\_ kg

for profile combination: Coupling hole on profile no. \_\_\_\_\_ or optional  
specify weight distribution \_\_\_\_\_

Handle set

- Quantity \_\_\_\_\_ side \_\_\_\_\_  Special colour RAL \_\_\_\_\_

Other accessories

- Disc drive-/interface bay with flap (as for SL 2000), side \_\_\_\_\_
- Insert bay for disc drive (from 415 mm front panel height), side \_\_\_\_\_
- Insert slot for: \_\_\_\_\_ side \_\_\_\_\_
- Finish in accordance with drawing-no.: \_\_\_\_\_
- For Siemens disc drive

Other modifications/ special versions

Further modifications \_\_\_\_\_  
 \_\_\_\_\_  
 in accordance with drawing-no.: \_\_\_\_\_

Drawing no.: D-SL 3000 - \_\_\_\_\_ Bl. 2

stated by Rose profile length: width \_\_\_\_\_ mm height \_\_\_\_\_ mm

**Dimensions****Console attachment enclosures**

Company \_\_\_\_\_

**Mounting depth**

T (mm) \_\_\_\_\_ of combination of profiles (please always specify from front to rear):

Profile no. \_\_\_\_\_ + Profile no. \_\_\_\_\_

Connection:  fixed  hinged, page \_\_\_\_\_**Dimensions**Front panel total dimensions (dimension sheet s. operational enclosure) W x H (mm) \_\_\_\_\_ x \_\_\_\_\_  Version Iand/or manufacturer/type of controller \_\_\_\_\_  Version II**Front panel** without front panel (direct mounting)  with M4 fixing set or  mwith M5 fixing set Front panel with stud bolts (flush without cover profile, dimensions, see drawing version I) Front panel with stud bolts (with cover profile, dimensions, see drawing version II) Front panel with drill holes Cover profile 22.5 mm (plastic black, dimensions s. version II) Cover profile for front panel, 5 mm rubber (Version II) Cover profile for front panel, 8 mm rubber (VersionII) other front panel \_\_\_\_\_ Finish in accordance with drawing no.: \_\_\_\_\_ (please attach)

and/or specify manufacturer/controller type: \_\_\_\_\_

 Separation fin quantity Position in accordance with drawing-no.: \_\_\_\_\_**Rear panel**with straight closure  screwed  hinged, hinges side \_\_\_\_\_with rounded closure  screwed, flush  with stud bolts, flush Modified according to drawing-no. \_\_\_\_\_ (please enclose if available)**Lock types** square 8 mm (standard)  square 7 mm  double ward 3 mm triangular 7 mm  triangular 8 mm  Other \_\_\_\_\_**Colour**Standard:  Profile RAL 7035, corner pieces RAL 9006, corner caps RAL 7035 powder-coated or Natural anodized profile, corner pieces RAL 9006, corner caps RAL 9007 powder-coated Custom colours (please specify RAL colour for each):

Profile RAL \_\_\_\_\_ Corner pieces RAL \_\_\_\_\_ Corner caps RAL \_\_\_\_\_

**Console attachment set** Standard 30° Standard 50°**Handle set** Quantity \_\_\_\_\_ side \_\_\_\_\_  Special colour RAL \_\_\_\_\_**Other accessories** Disc drive-/interface bay with flap (as for SL 2000), page \_\_\_\_\_ Insert bay for disc drive (from 415 mm front panel height), page \_\_\_\_\_ Insert slot for: \_\_\_\_\_ side \_\_\_\_\_ Finish in accordance with drawing-no.: \_\_\_\_\_ For Siemens disc drive**Other modifications/ special versions**

Further modifications \_\_\_\_\_ in accordance with drawing-no.: \_\_\_\_\_

Drawing no.: D-SL 3000 - \_\_\_\_\_ Bl. 3

stated by Rose profile length: width \_\_\_\_\_ mm height \_\_\_\_\_ mm

*Applications*

