

Company _____
 Contact _____
 Address _____
 Telephone _____
 Fax _____
 eMail _____

Customer No. _____
 Piece _____
 Date _____

Dimensions operating enclosures

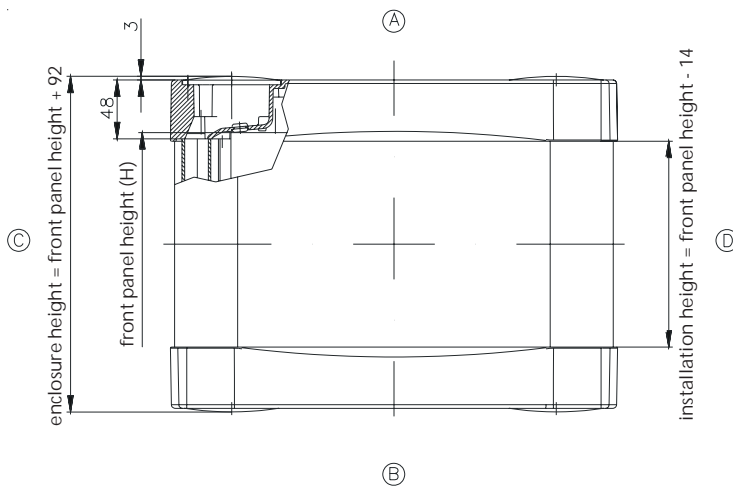
ComTronic 110

for front panel 266 x 350 mm (W x H) for front panel 266 x 520 mm (W x H) for front panel 266 x special length mm (W x H)

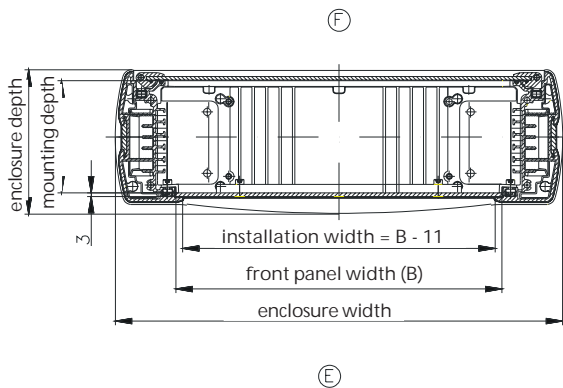
ComTronic 145

for front panel 351 x 350 mm (W x H) for front panel 351 x 520 mm (W x H) for front panel 351 x special length mm (W x H)

front panel dimension special length H (mm) _____ (high)



| | ComTronic | |
|---------------------|-----------|-----|
| | 110 | 145 |
| Mounting depth: | 91 | 127 |
| Enclosure depth: | 118 | 153 |
| Installation width: | 255 | 340 |



Front panel mounted: yes no

Modified acc. to drawing no.: _____

or specify manufacturer / control type _____

Accessory to inquiry / order

Company: _____

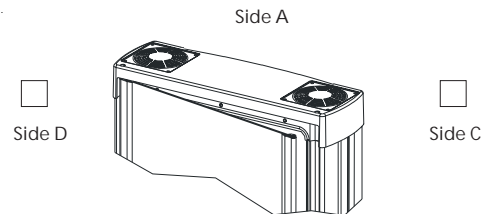
Rear wall With fast lock system (standard) Hinged side _____ (standard side D)
 With turn bolt fastener Hinged side _____ (standard side D)
 Square 6 mm (standard) Triangular 6,5 mm Slot 1,5 mm
 Screwed
 Rear wall machining acc. drawing no. _____

Colour Standard: light grey, RAL 7035
 Special colour (please specify RAL colour single):
 Profile RAL _____ Lid RAL _____ Slot-in strip RAL _____ (standard: black)

Suspension without
 GTK electronic or GT 48/2 Side _____ (standard side A by ComTronic 110)
 GTN II Side _____ (standard side A by ComTronic 145)
 Moterm
 other _____ Drawing no. _____ Side _____
 Total weight of mountings ca. _____ kg

Handle set Side C and D Special colour RAL _____ (standard: black)
 Order No.: 20.80 90 02; 20.80 90 03; 20.80 90 99 Special length _____ mm

Ventilator (1 pcs.) Standard 2 pcs.
 Side _____ (standard: side A)
 divergent by inset of only one ventilator



Order No.: 83.90 00 04; 83.90 00 05

Cover elements (4 pcs.) (or hygienic areas) attention: none optimal cooling effect!
 Order No.: 20.80 90 04; 20.80 90 05

NoVoTronic adapter Side _____ (standard: side D)
 Order No.: 20.80 90 06; 20.80 90 07; 20.80 90 08

Wall holder-CT Side _____ (standard: Side C)
 Order No.: 20.80 90 01

Other machining / special versions

acc. drawing no.: _____